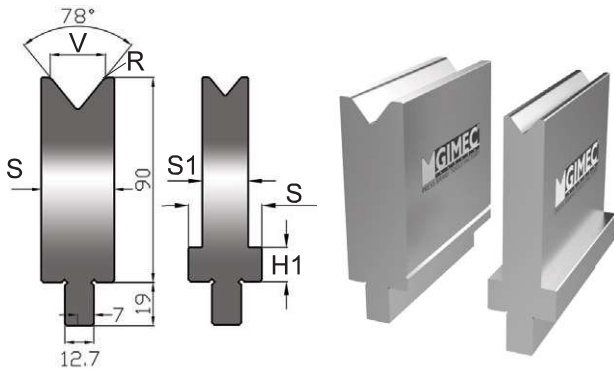


# PRESS BRAKE TOOLS FACTORY CATALOGUE



**78°**



codice articolo item code	V mm	R mm	H-H1 mm	S-S1 mm	max kN/mt
USL109/78° V06	6	1,0	90-15	32-12	400
USL109/78° V08	8	1,0	90-15	32-12	400
USL109/78° V10	10	1,0	90-15	32-14	500
USL109/78° V12	12	2,0	90-15	32-18	600
USL109/78° V16	16	2,5	90-15	32-25	800
USL109/78° V20	20	3,0	90	32	1000
USL109/78° V24	24	3,0	90	32	1000
USL109/78° V30	30	3,0	90	40	1100
USL109/78° V40	40	4,0	90	50	1300
USL109/78° V50	50	4,0	90	60	1500
USL109/78° V60	60	4,0	90	70	1500
USL109/78° V80	80	5,0	90	90	1500
USL109/78° V100	100	8,0	90	120	1200

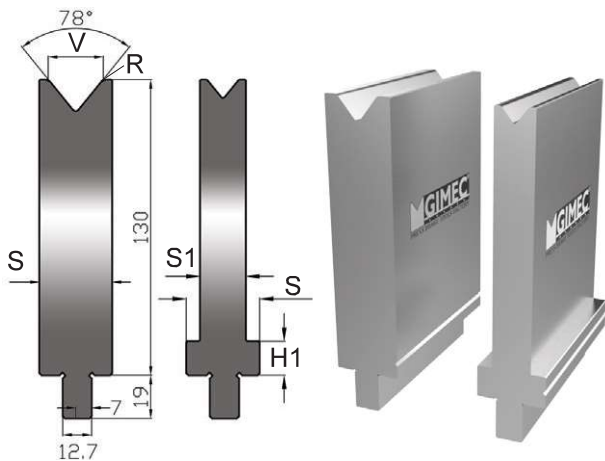
acciaio - steel

42CM4 T HRC 52+58

lunghezze - lengths

mm 508 - fraz 500 - 550

**78°**



codice articolo item code	V mm	R mm	H-H1 mm	S-S1 mm	max kN/mt
USL149/78° V06	6	1,0	130-15	32-12	400
USL149/78° V08	8	1,0	130-15	32-12	400
USL149/78° V10	10	1,0	130-15	32-14	500
USL149/78° V12	12	2,0	130-15	32-18	600
USL149/78° V16	16	2,5	130-15	32-25	800
USL149/78° V20	20	3,0	130	32	1000
USL149/78° V24	24	3,0	130	32	1000
USL149/78° V30	30	3,0	130	40	1100
USL149/78° V40	40	4,0	130	50	1300
USL149/78° V50	50	4,0	130	70	1500
USL149/78° V60	60	4,0	130	70	1500
USL149/78° V80	80	5,0	130	95	1500

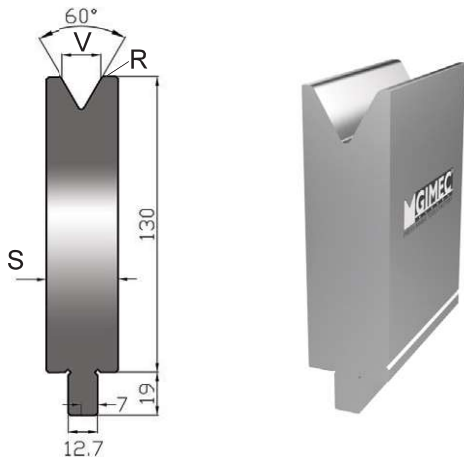
acciaio - steel

42CM4 T HRC 52+58

lunghezze - lengths

mm 508 - fraz 500 - 550

**60°**



codice articolo item code	V mm	R mm	H-H1 mm	S-S1 mm	max kN/mt
USL149/60° V30	30	4	30	40	500
USL149/60° V40	40	5	40	55	660
USL149/60° V50	50	5	50	70	1050
USL149/60° V60	60	5	60	80	1200
USL149/60° V80	80	6	80	102	1750
USL149/60° V100	100	8	100	120	1600
USL149/60° V120	120	8	120	145	1300

acciaio - steel

42CM4 T HRC 52+58

lunghezze - lengths

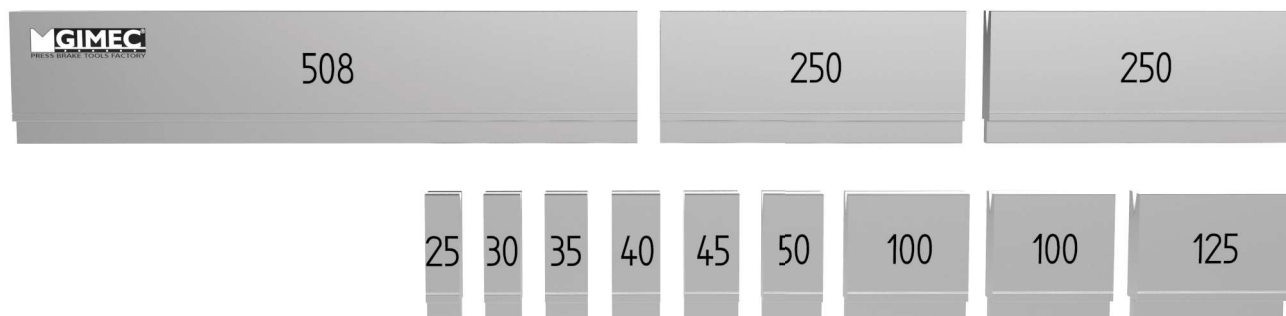
mm 508 - fraz 500 - 550

STANDARD TOOLS serie 12,7 USL®

<b>30°</b>		codice articolo item code	V mm	R mm	H-H1 mm	S-S1 mm	max kN/mt
		USL109/30° V06	6	0,8	90-15	32-16	200
		USL109/30° V08	8	1,0	90-15	32-18	220
		USL109/30° V10	10	1,2	90-15	32-25	300
		USL109/30° V12	12	1,6	90	32	380
		USL109/30° V16	16	3,0	90	32	380
		USL109/30° V20	20	3,0	90	40	380
		USL109/30° V24	24	3,0	90	50	550
acciaio - steel		42CM4 T HRC 52+58	lunghezze - lengths		mm 508 - fraz 500 - 550		

<b>30°</b>		codice articolo item code	V mm	R mm	H-H1 mm	S-S1 mm	max kN/mt
		USL149/30° V06	6	0,8	130-15	32-16	200
		USL149/30° V08	8	1,0	130-15	32-18	220
		USL149/30° V10	10	1,2	130-15	32-25	300
		USL149/30° V12	12	1,6	130	32	380
		USL149/30° V16	16	3,0	130	40	380
		USL149/30° V20	20	3,0	130	40	380
	acciaio - steel		42CM4 T HRC 52+58	lunghezze - lengths		mm 508 - fraz 500 - 550	

**LUNGHEZZE • LENGTHS**  
 mm 508 - fraz 500 mm 250+250 - fraz 550 mm 25+30+35+40+45+50+100+100+125



**serie 12,7 USL®**  
**STANDARD TOOLS**